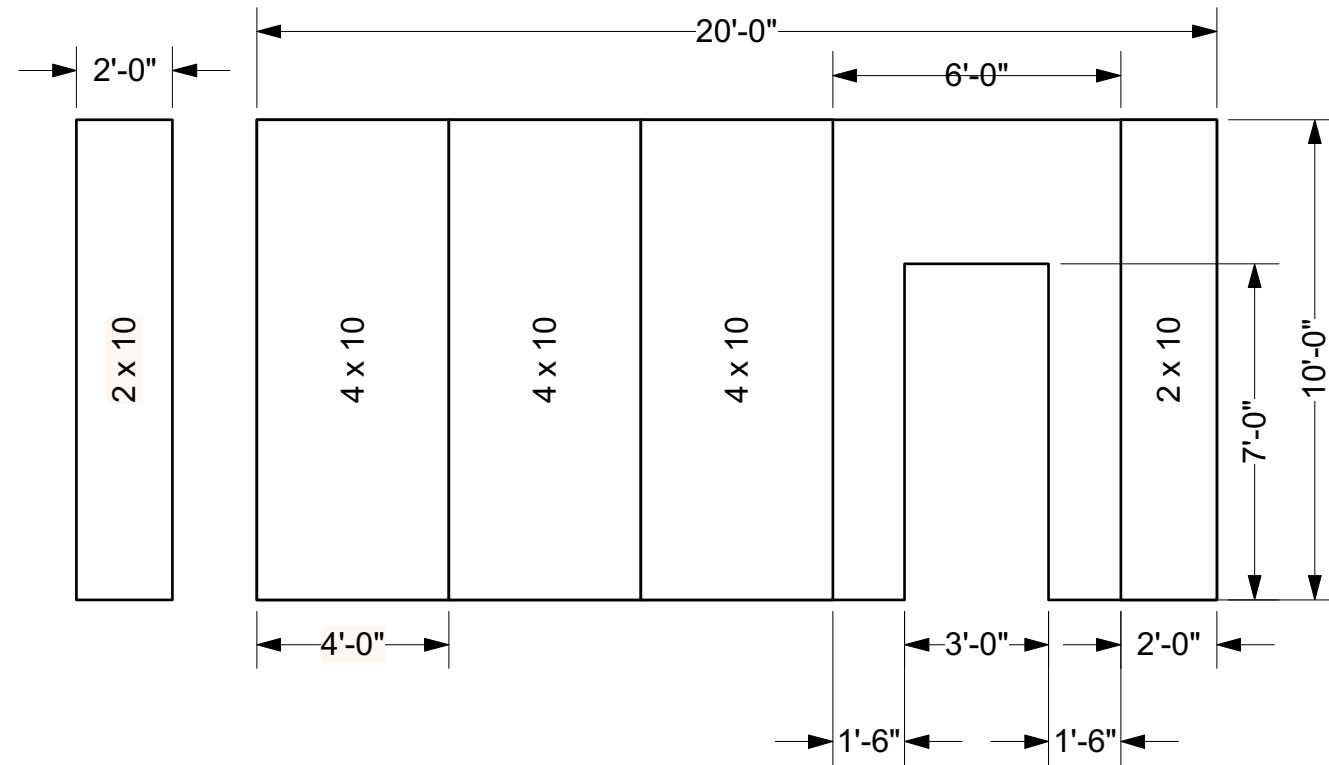


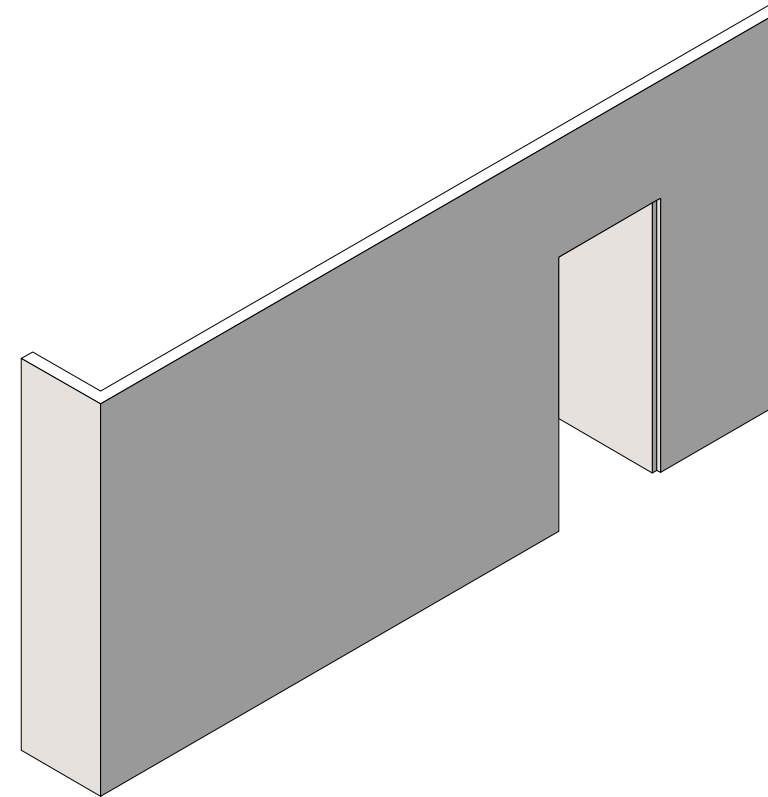
Wall Elevations



Top View



Left Isometric View



Notes:

1. Spacing for the door on the 20 ft wall is 3ft wide without the addition of extra space. Able to change dimensions of spacing for what works best with door stocks.
2. Changes in the spacing for the door will change the custom build flat.



Wall Elevation Plan			
Lone Star			
Dorothy Somerset Studios			
Directed by:	Jessica Nelson		
Des by:	Vanka Salim	Drawn by:	Vanka Salim
Scale:	1/4" = 1'-0"	Sheet:	1 of 1
Rev:	2	Date:	13/03/2017